

●メタライズド・ポリプロピレン・フィルム・コンデンサ MMDLシリーズ

New

●METALLIZED POLYPROPYLENE FILM CAPACITORS TYPE MMDL

■特徴

このコンデンサは金属化ポリプロピレンフィルム及びポリプロピレンフィルム製の素子2個で構成されており、大容量・低自己インダクタンスの特性があります。過酷な環境の下で長時間使用される太陽光発電・風力発電等の高級なインバーターのDCリンク回路に最適です。

■構造/CONSTRUCTION

| |
|--|
| ・ 外装/Exterior : アルミニウム缶/Aluminum can |
| ・ 端子/Terminals : T : スレッド/Internal thread Z : スタッド/Internal stud |
| ・ 底部取付/Base mounting position : M12 or M16 |
| ・ 充填材料/Filling material : エポキシ樹脂封止/Epoxy resin sealing (UL 94V-0) |
| ・ 内部保護/Internal protection : 無し/Non |

・ 参考規格/Reference standard : IEC 61071, GB/T-17702-1

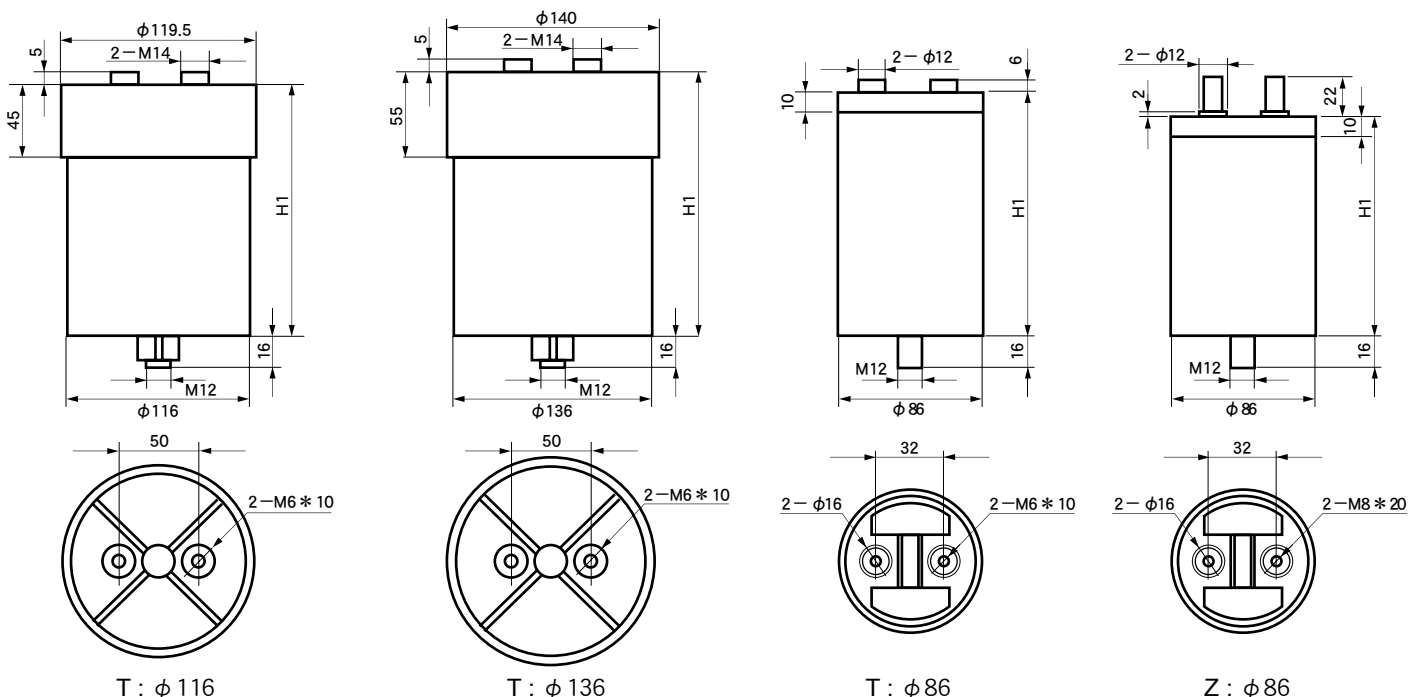
■FEATURES

Capacitor consists of two elements made from the metallized polypropylene film and the polypropylene film, and are large scale and the characteristic of a low self-inductance. Capacitor is the best for DC link circuit of the high-end class inverter for wind power and solar power etc. used under severe environment for a long time.

■性能/PERFORMANCE SPECIFICATIONS

| |
|--|
| ・ 定格電圧 (U_N) / Nominal voltage (U_N) : 600~1500VDC |
| ・ 静電容量範囲 / Capacitance range : 160~7400 μ F |
| ・ 静電容量許容差 / Capacitance tolerance : $\pm 5\%$ (J), $\pm 10\%$ (K) |
| ・ 誘電正接 ($\tan \delta$) / Dissipation factor ($\tan \delta$) : 0.02% Max. (at 20°C, 1kHz) |
| ・ 絶縁抵抗 / Insulation resistance : $\geq 5,000s$ (20°C, 1min.) |
| ・ 耐電圧 / Withstand voltage : 端子間 / Between terminals : $1.5 \times U_N$ 端子-ケース間 / Between terminals and case : $\geq 3200VAC$, 50Hz/10sec. |
| ・ 過電圧 / Over voltage : 1.1 U_N (30% of no-load-duration) 1.15 U_N (30min/day) 1.2 U_N (5min/day) 1.3 U_N (1min/day) 1.5 U_N (100ms per time, 1000time during the life of the capacitor) |
| ・ 保存温度 / Storage temperature : $-40 \sim +85^\circ C$ |
| ・ 制限温度 / Limit temperature : $-40 \sim +85^\circ C$ (for $\phi 86mm$) $-40 \sim +80^\circ C$ (for $\phi 116mm$) $-40 \sim +75^\circ C$ (for $\phi 136mm$) |
| ・ 使用限界標高 / Altitude : $\leq 2000m$ |

■寸法表/DIMENSIONS



■製品 サイズ・電気特性一覧表 / PRODUCT SIZE AND ELECTRICAL CHARACTERISTICS TABLE

| 項目/Item | Symbol |
|---------------------------------|------------------|
| 直列抵抗 / Series resistance | Rs |
| 最大電流 / Maximum current | I _{max} |
| 最大ピーク電流 / Maximum peak current | I [^] |
| 最大サージ電圧 / Maximum surge current | I _s |

| 項目/Item | Symbol |
|-----------------------------|----------------|
| 定格エネルギー / Rated energy | W _N |
| 自己インダクタンス / Self inductance | Le |

● 600VDC

高電流タイプ / High current type

サージ電圧 / Surge voltage (Us) : 900V リプル電圧 / Maximum ripple voltage (Ur) : 100V

| Symbol | μF | Rs (mΩ) | I _{max} (A) | I [^] (kA) | I _s (kA) | W _N (Ws) | Le (nH) | φ D (mm) | H1 (mm) | Stud/Thread | Parts code |
|--------|------|---------|----------------------|---------------------|---------------------|---------------------|---------|----------|---------|-------------|---------------------|
| 751 | 750 | 1.6 | 30 | 3.7 | 11.0 | 135 | 60 | 86.0 | 115 | T:M6×10mm | 601MMDL751*EPD216TE |
| 102 | 1000 | 1.8 | 35 | ↓ | ↓ | 180 | 55 | ↓ | 136 | T:M6×10mm | 601MMDL102*EPD216TE |
| 112 | 1100 | 1.9 | ↓ | ↓ | ↓ | 198 | 40 | ↓ | 146 | Z:M8×20mm | 601MMDL112*EPD216ZE |
| 152 | 1500 | 2.3 | ↓ | ↓ | ↓ | 270 | 60 | ↓ | 181 | T:M6×10mm | 601MMDL152*EPD216TE |
| 162 | 1600 | 1.3 | 60 | 7.4 | 22.0 | 288 | ↓ | ↓ | 215 | Z:M8×20mm | 601MMDL162*EPD216ZE |
| 272 | 2700 | 1.8 | ↓ | ↓ | ↓ | 486 | 100 | ↓ | 348 | T:M6×10mm | 601MMDL272*EPD216TE |
| 222 | 2200 | 1.1 | 40 | 6.7 | 20.0 | 396 | 40 | 116.0 | 146 | T:M6×10mm | 601MMDL222*EPD213TE |
| 242 | 2400 | 1.3 | ↓ | ↓ | ↓ | 432 | 50 | ↓ | 185 | T:M6×10mm | 601MMDL242*EPD213TE |
| 272 | 2700 | 0.66 | 60 | ↓ | 40.0 | 486 | ↓ | ↓ | 215 | T:M6×10mm | 601MMDL272*EPD213TE |
| 392 | 3900 | 0.83 | ↓ | ↓ | ↓ | 702 | 70 | ↓ | 295 | T:M6×10mm | 601MMDL392*EPD213TE |
| 512 | 5100 | 0.96 | ↓ | ↓ | ↓ | 918 | ↓ | ↓ | 345 | T:M6×10mm | 601MMDL512*EPD213TE |
| 592 | 5900 | 0.73 | ↓ | 19.2 | 58.0 | 1062 | ↓ | 136.0 | 295 | T:M6×10mm | 601MMDL592*EPD214TE |
| 742 | 7400 | 0.84 | ↓ | ↓ | ↓ | 1332 | ↓ | ↓ | 345 | T:M6×10mm | 601MMDL742*EPD214TE |

*:Tolerance J or K

● 600VDC

大電流タイプ / Large current type

サージ電圧 / Surge voltage (Us) : 900V リプル電圧 / Maximum ripple voltage (Ur) : 100V

| Symbol | μF | Rs (mΩ) | I _{max} (A) | I [^] (kA) | I _s (kA) | W _N (Ws) | Le (nH) | φ D (mm) | H1 (mm) | Stud/Thread | Parts code |
|--------|------|---------|----------------------|---------------------|---------------------|---------------------|---------|----------|---------|-------------|----------------------|
| 1081 | 1080 | 1.0 | 60 | 7.4 | 22.0 | 194 | 40 | 86.0 | 155 | Z:M8×20mm | 601MMDL1081*EPD436ZE |
| 202 | 2000 | 1.4 | ↓ | ↓ | ↓ | 360 | 60 | ↓ | 252 | T:M6×10mm | 601MMDL202*EPD436TE |
| 202 | 2000 | 0.51 | ↓ | ↓ | ↓ | 360 | 40 | 116.0 | 165 | T:M6×10mm | 601MMDL202*EPD433TE |
| 302 | 3000 | 0.53 | 100.0 | 21.0 | 62.0 | 540 | 50 | ↓ | 230 | T:M6×10mm | 601MMDL302*EPD433TE |
| 402 | 4000 | 0.58 | ↓ | 28.0 | 83.0 | 720 | 70 | ↓ | 295 | T:M6×10mm | 601MMDL402*EPD433TE |
| 502 | 5000 | 0.72 | ↓ | 20.0 | 60.0 | 900 | ↓ | ↓ | 345 | T:M6×10mm | 601MMDL502*EPD433TE |
| 562 | 5600 | 0.55 | 120 | 30.0 | 90.0 | 1008 | ↓ | 136.0 | 295 | T:M6×10mm | 601MMDL562*EPD434TE |
| 702 | 7000 | 0.66 | ↓ | 29.0 | 87.0 | 1260 | ↓ | ↓ | 345 | T:M6×10mm | 601MMDL702*EPD434TE |

*:Tolerance J or K

● 700VDC

高電流タイプ / High current type

サージ電圧 / Surge voltage (Us) : 1050V リプル電圧 / Maximum ripple voltage (Ur) : 200V

| Symbol | μF | Rs (mΩ) | I _{max} (A) | I [^] (kA) | I _s (kA) | W _N (Ws) | Le (nH) | φ D (mm) | H1 (mm) | Stud/Thread | Parts code |
|--------|------|---------|----------------------|---------------------|---------------------|---------------------|---------|----------|---------|-------------|---------------------|
| 581 | 580 | 1.7 | 30 | 3.2 | 9.6 | 142 | 60 | 86.0 | 115 | T:M6×10mm | 701MMDL581*EPD216TE |
| 751 | 750 | 2.0 | 35 | ↓ | ↓ | 184 | 55 | ↓ | 136 | T:M6×10mm | 701MMDL751*EPD216TE |
| 821 | 820 | 2.1 | ↓ | 3.3 | ↓ | 201 | 40 | ↓ | 146 | Z:M8×20mm | 701MMDL821*EPD216ZE |
| 112 | 1100 | 2.5 | ↓ | 3.2 | ↓ | 270 | 60 | ↓ | 181 | T:M6×10mm | 701MMDL112*EPD216TE |
| 112 | 1100 | 1.3 | 60 | 6.5 | 19.5 | ↓ | ↓ | ↓ | 215 | Z:M8×20mm | 701MMDL112*EPD216ZE |
| 212 | 2100 | 1.8 | ↓ | ↓ | ↓ | 515 | 100 | ↓ | 348 | T:M6×10mm | 701MMDL212*EPD216TE |
| 172 | 1700 | 1.2 | 40 | 5.9 | 17.7 | 417 | 40 | 116.0 | 146 | T:M6×10mm | 701MMDL172*EPD213TE |
| 192 | 1900 | 1.4 | ↓ | ↓ | ↓ | 466 | 50 | ↓ | 185 | T:M6×10mm | 701MMDL192*EPD213TE |
| 212 | 2100 | 0.69 | 60 | 11.7 | 35.1 | 515 | ↓ | ↓ | 215 | T:M6×10mm | 701MMDL212*EPD213TE |
| 312 | 3100 | 0.87 | ↓ | ↓ | ↓ | 760 | 70 | ↓ | 295 | T:M6×10mm | 701MMDL312*EPD213TE |
| 392 | 3900 | 1.00 | ↓ | 11.8 | 35.0 | 956 | ↓ | ↓ | 345 | T:M6×10mm | 701MMDL392*EPD213TE |
| 442 | 4400 | 0.76 | ↓ | 16.7 | 50.1 | 1078 | ↓ | 136.0 | 295 | T:M6×10mm | 701MMDL442*EPD214TE |
| 552 | 5500 | 0.88 | ↓ | ↓ | ↓ | 1348 | ↓ | ↓ | 345 | T:M6×10mm | 701MMDL552*EPD214TE |

*:Tolerance J or K

● 700VDC

大電流タイプ / Large current type

サージ電圧 / Surge voltage (Us) : 1050V リプル電圧 / Maximum ripple voltage (Ur) : 200V

| Symbol | μF | Rs (mΩ) | I _{max} (A) | I [^] (kA) | I _s (kA) | W _N (Ws) | Le (nH) | φ D (mm) | H1 (mm) | Stud/Thread | Parts code |
|--------|------|---------|----------------------|---------------------|---------------------|---------------------|---------|----------|---------|-------------|----------------------|
| 801 | 800 | 1.1 | 60 | 6.4 | 19.0 | 198 | 40 | 86.0 | 155 | Z:M8×20mm | 701MMDL801*EPD436ZE |
| 1461 | 1460 | 0.54 | 80 | 11.7 | 35.0 | 358 | ↓ | 116.0 | 165 | T:M6×10mm | 701MMDL1461*EPD433TE |
| 152 | 1500 | 1.5 | 60 | 6.4 | 19.0 | 368 | 60 | 86.0 | 252 | T:M6×10mm | 701MMDL152*EPD436TE |
| 2191 | 2190 | 0.55 | 100 | 17.6 | 53.0 | 537 | 50 | 116.0 | 230 | T:M6×10mm | 701MMDL2191*EPD433TE |
| 2921 | 2920 | 0.59 | ↓ | 23.4 | 70.0 | 715 | 70 | ↓ | 295 | T:M6×10mm | 701MMDL2921*EPD433TE |
| 372 | 3700 | 0.79 | ↓ | 18.0 | 54.0 | 907 | ↓ | ↓ | 345 | T:M6×10mm | 701MMDL372*EPD433TE |
| 422 | 4200 | 0.61 | 120 | 30.0 | 90.0 | 1029 | ↓ | 136.0 | 295 | T:M6×10mm | 701MMDL422*EPD434TE |
| 522 | 5200 | 0.68 | ↓ | 25.0 | 75.0 | 1274 | ↓ | ↓ | 345 | T:M6×10mm | 701MMDL522*EPD434TE |

*:Tolerance J or K

● 900VDC

高電流タイプ /High current type

サージ電圧 /Surge voltage (Us) : 1350V リプル電圧 /Maximum ripple voltage (Ur) : 100V

| Symbol | μF | Rs (mΩ) | I max (A) | İ (kA) | Is (kA) | W _N (Ws) | Le (nH) | φ D (mm) | H1 (mm) | Stud/Thread | Parts code |
|--------|------|---------|-----------|---------|---------|---------------------|---------|----------|---------|-------------|---------------------|
| 451 | 450 | 1.8 | 30 | 2.8 | 8.4 | 182 | 60 | 86.0 | 115 | T:M6×10mm | 901MMDL451*EPD216TE |
| 551 | 550 | 2.1 | 35 | 3.0 | 10.0 | 223 | 55 | | 136 | T:M6×10mm | 901MMDL551*EPD216TE |
| 631 | 630 | 2.3 | | 2.8 | 8.4 | 255 | 40 | | 146 | Z:M8×20mm | 901MMDL631*EPD216ZE |
| 821 | 820 | 2.7 | | 2.9 | 8.7 | 332 | 60 | | 181 | T:M6×10mm | 901MMDL821*EPD216TE |
| 901 | 900 | 1.3 | 60 | 5.7 | 17.1 | 365 | | | 215 | Z:M8×20mm | 901MMDL901*EPD216ZE |
| 162 | 1600 | 1.9 | | | | 648 | 100 | | 348 | T:M6×10mm | 901MMDL162*EPD216TE |
| 132 | 1300 | 1.3 | 40 | 5.2 | 15.6 | 527 | 40 | 116.0 | 146 | T:M6×10mm | 901MMDL132*EPD213TE |
| 152 | 1500 | 1.5 | | | | 608 | 50 | | 185 | T:M6×10mm | 901MMDL152*EPD213TE |
| 162 | 1600 | 0.73 | 60 | 10.3 | 30.9 | 648 | | | 215 | T:M6×10mm | 901MMDL162*EPD213TE |
| 242 | 2400 | 0.93 | | | | 972 | 70 | | 295 | T:M6×10mm | 901MMDL242*EPD213TE |
| 302 | 3000 | 1.1 | | | | 1215 | | | 345 | T:M6×10mm | 901MMDL302*EPD213TE |
| 332 | 3300 | 0.80 | | 14.6 | 43.8 | 1337 | | 136.0 | 295 | T:M6×10mm | 901MMDL332*EPD214TE |
| 422 | 4200 | 0.93 | | | | 1701 | | | 345 | T:M6×10mm | 901MMDL422*EPD214TE |

*:Tolerance J or K

● 900VDC

大電流タイプ /Large current type

サージ電圧 /Surge voltage (Us) : 1350V リプル電圧 /Maximum ripple voltage (Ur) : 200V

| Symbol | μF | Rs (mΩ) | I max (A) | İ (kA) | Is (kA) | W _N (Ws) | Le (nH) | φ D (mm) | H1 (mm) | Stud/Thread | Parts code |
|--------|------|---------|-----------|---------|---------|---------------------|---------|----------|---------|-------------|----------------------|
| 611 | 610 | 1.1 | 60 | 5.6 | 16.8 | 247 | 40 | 86.0 | 155 | Z:M8×20mm | 901MMDL601*EPD436ZE |
| 1121 | 1120 | 0.57 | 80 | 10.3 | 30.9 | 454 | | 116.0 | 165 | T:M6×10mm | 901MMDL1121*EPD433TE |
| 1151 | 1150 | 1.6 | 60 | 5.7 | 17.1 | 466 | 60 | 86.0 | 252 | T:M6×10mm | 901MMDL1151*EPD436TE |
| 1681 | 1680 | 0.57 | 100 | 15.4 | 46.2 | 680 | 50 | 116.0 | 230 | T:M6×10mm | 901MMDL1681*EPD433TE |
| 2241 | 2240 | 0.61 | | 20.5 | 61.5 | 907 | 70 | | 295 | T:M6×10mm | 901MMDL2241*EPD433TE |
| 282 | 2800 | 0.78 | | 15.4 | 46.2 | 1134 | | | 345 | T:M6×10mm | 901MMDL282*EPD433TE |
| 322 | 3200 | 0.57 | 120 | 30.0 | 90.0 | 1296 | | 136.0 | 295 | T:M6×10mm | 901MMDL322*EPD434TE |
| 402 | 4000 | 0.70 | | 22.0 | 66.0 | 1620 | | | 345 | T:M6×10mm | 901MMDL402*EPD434TE |

*:Tolerance J or K

● 1100VDC

高電流タイプ /High current type

サージ電圧 /Surge voltage (Us) : 1650V リプル電圧 /Maximum ripple voltage (Ur) : 250V

| Symbol | μF | Rs (mΩ) | I max (A) | İ (kA) | Is (kA) | W _N (Ws) | Le (nH) | φ D (mm) | H1 (mm) | Stud/Thread | Parts code |
|--------|------|---------|-----------|---------|---------|---------------------|---------|----------|---------|-------------|---------------------|
| 331 | 330 | 1.8 | 30 | 2.4 | 7.2 | 200 | 60 | 86.0 | 115 | T:M6×10mm | 112MMDL331*EPD216TE |
| 421 | 420 | 2.1 | 40 | 2.5 | 15.0 | 254 | 55 | | 136 | T:M6×10mm | 112MMDL421*EPD216TE |
| 451 | 450 | 2.3 | | 2.4 | 14.8 | 272 | 40 | | 146 | Z:M8×20mm | 112MMDL451*EPD216ZE |
| 591 | 590 | 2.7 | | | | 357 | 60 | | 181 | T:M6×10mm | 112MMDL591*EPD216TE |
| 651 | 650 | 1.3 | 60 | 4.8 | 14.4 | 393 | | | 215 | Z:M8×20mm | 112MMDL651*EPD216ZE |
| 112 | 1100 | 1.9 | | | | 666 | 100 | | 348 | T:M6×10mm | 112MMDL112*EPD216TE |
| 901 | 900 | 1.3 | 40 | 4.4 | 13.2 | 545 | 40 | 116.0 | 146 | T:M6×10mm | 112MMDL901*EPD213TE |
| 102 | 1000 | 1.5 | | | | 605 | 50 | | 185 | T:M6×10mm | 112MMDL102*EPD213TE |
| 122 | 1200 | 0.73 | 60 | 8.7 | 26.1 | 726 | | | 215 | T:M6×10mm | 112MMDL122*EPD213TE |
| 172 | 1700 | 0.93 | | 8.6 | 25.8 | 1029 | 70 | | 295 | T:M6×10mm | 112MMDL172*EPD213TE |
| 212 | 2100 | 1.1 | | 8.7 | 26.1 | 1271 | | | 345 | T:M6×10mm | 112MMDL212*EPD213TE |
| 242 | 2400 | 0.80 | | 12.4 | 37.2 | 1452 | | 136.0 | 295 | T:M6×10mm | 112MMDL242*EPD214TE |
| 302 | 3000 | 0.93 | | | | 1815 | | | 345 | T:M6×10mm | 112MMDL302*EPD214TE |

*:Tolerance J or K

● 1100VDC

大電流タイプ /Large current type

サージ電圧 /Surge voltage (Us) : 1650V リプル電圧 /Maximum ripple voltage (Ur) : 250V

| Symbol | μF | Rs (mΩ) | I max (A) | İ (kA) | Is (kA) | W _N (Ws) | Le (nH) | φ D (mm) | H1 (mm) | Stud/Thread | Parts code |
|--------|------|---------|-----------|---------|---------|---------------------|---------|----------|---------|-------------|---------------------|
| 421 | 420 | 1.0 | 60 | 4.5 | 15.2 | 254 | 40 | 86.0 | 155 | T:M6×10mm | 112MMDL421*EPD436TE |
| 451 | 450 | 1.1 | 50 | 4.8 | 14.4 | 272 | 45 | | 155 | T:M6×10mm | 112MMDL451*EPD436TE |
| 801 | 800 | 0.61 | 80 | 8.6 | 25.8 | 484 | 40 | 116.0 | 165 | T:M6×10mm | 112MMDL801*EPD433TE |
| 831 | 830 | 1.7 | 60 | 4.8 | 14.4 | 502 | 60 | 86.0 | 252 | T:M6×10mm | 112MMDL831*EPD436TE |
| 122 | 1200 | 0.60 | 100 | 13.0 | 39.0 | 726 | 50 | 116.0 | 230 | T:M6×10mm | 112MMDL122*EPD433TE |
| 162 | 1600 | 0.63 | | 17.2 | 51.6 | 968 | 70 | | 295 | T:M6×10mm | 112MMDL162*EPD433TE |
| 202 | 2000 | 0.82 | | 12.9 | 38.7 | 1210 | | | 345 | T:M6×10mm | 112MMDL202*EPD433TE |
| 232 | 2300 | 0.59 | 120 | 24.8 | 74.4 | 1392 | | 136.0 | 295 | T:M6×10mm | 112MMDL232*EPD434TE |
| 292 | 2900 | 0.73 | | 18.7 | 56.1 | 1755 | | | 345 | T:M6×10mm | 112MMDL292*EPD434TE |

*:Tolerance J or K

● 1300VDC

高電流タイプ /High current type

サージ電圧 /Surge voltage (Us) : 1950V リプル電圧 /Maximum ripple voltage (Ur) : 300V

| Symbol | μF | Rs (mΩ) | I max (A) | İ (kA) | Is (kA) | Wn (Ws) | Le (nH) | φ D (mm) | H1 (mm) | Stud/Thread | Parts code |
|--------|------|---------|-----------|---------|---------|---------|---------|----------|---------|-------------|---------------------|
| 211 | 210 | 1.8 | 30 | 2.0 | 6.0 | 177 | 60 | 86.0 | 115 | T:M6×10mm | 132MMDL211*EPD216TE |
| 271 | 270 | 2.5 | 40 | | 10.0 | 228 | 55 | | 136 | T:M6×10mm | 132MMDL271*EPD216TE |
| 301 | 300 | 2.6 | | | | 254 | 40 | | 146 | T:M6×10mm | 132MMDL301*EPD216TE |
| 391 | 390 | 3.2 | | | | 330 | 60 | | 181 | T:M6×10mm | 132MMDL391*EPD216TE |
| 421 | 420 | 1.5 | 60 | 4.0 | 12.0 | 355 | | | 215 | Z:M8×20mm | 132MMDL421*EPD216ZE |
| 751 | 750 | 2.3 | | 3.9 | 11.7 | 634 | 100 | | 348 | T:M6×10mm | 132MMDL751*EPD216TE |
| 601 | 600 | 1.6 | 40 | 3.5 | 10.5 | 507 | 40 | 116.0 | 146 | T:M6×10mm | 132MMDL601*EPD213TE |
| 701 | 700 | 1.8 | | | | 592 | 50 | | 185 | T:M6×10mm | 132MMDL701*EPD213TE |
| 751 | 750 | 0.82 | 60 | 7.0 | 21.0 | 634 | | | 215 | T:M6×10mm | 132MMDL751*EPD213TE |
| 112 | 1100 | 1.0 | | | | 930 | 70 | | 295 | T:M6×10mm | 132MMDL112*EPD213TE |
| 162 | 1600 | 0.88 | | 10.0 | 30.0 | 1352 | | 136.0 | 295 | T:M6×10mm | 132MMDL162*EPD213TE |
| 202 | 2000 | 1.0 | | 10.1 | 30.3 | 1690 | | | 345 | T:M6×10mm | 132MMDL202*EPD214TE |

*:Tolerance J or K

● 1300VDC

大電流タイプ /Large current type

サージ電圧 /Surge voltage (Us) : 1950V リプル電圧 /Maximum ripple voltage (Ur) : 300V

| Symbol | μF | Rs (mΩ) | I max (A) | İ (kA) | Is (kA) | Wn (Ws) | Le (nH) | φ D (mm) | H1 (mm) | Stud/Thread | Parts code |
|--------|------|---------|-----------|---------|---------|---------|---------|----------|---------|-------------|----------------------|
| 301 | 300 | 1.2 | 60 | 4.0 | 12.0 | 254 | 40 | 86.0 | 155 | T:M6×10mm | 132MMDL301*EPD436TE |
| 5450 | 545 | 0.62 | 80 | 7.2 | 21.6 | 461 | | 116.0 | 155 | T:M6×10mm | 132MMDL5450*EPD433TE |
| 561 | 560 | 1.80 | 60 | 4.0 | 12.0 | 473 | 60 | 86.0 | 165 | T:M6×10mm | 132MMDL561*EPD436TE |
| 821 | 820 | 0.60 | 100 | 10.9 | 32.7 | 693 | 50 | 116.0 | 252 | T:M6×10mm | 132MMDL821*EPD433TE |
| 1091 | 1090 | 0.63 | | 14.5 | 43.5 | 946 | 60 | | 230 | T:M6×10mm | 132MMDL1091*EPD433TE |
| 1371 | 1370 | 0.83 | | 10.9 | 32.7 | 1158 | 70 | | 295 | T:M6×10mm | 132MMDL1371*EPD433TE |
| 1561 | 1560 | 0.59 | 120.0 | 20.7 | 62.1 | 1318 | | 136.0 | 345 | T:M6×10mm | 132MMDL1561*EPD434TE |
| 1951 | 1950 | 0.74 | | 15.5 | 45.5 | 1648 | | | 345 | T:M6×10mm | 132MMDL1951*EPD434TE |

*:Tolerance J or K

● 1500VDC

高電流タイプ /High current type

サージ電圧 /Surge voltage (Us) : 2250V リプル電圧 /Maximum ripple voltage (Ur) : 300V

| Symbol | μF | Rs (mΩ) | I max (A) | İ (kA) | Is (kA) | Wn (Ws) | Le (nH) | φ D (mm) | H1 (mm) | Stud/Thread | Parts code |
|--------|------|---------|-----------|---------|---------|---------|---------|----------|---------|-------------|---------------------|
| 161 | 160 | 2.3 | 30 | 1.7 | 5.1 | 180 | 60 | 86.0 | 115 | T:M6×10mm | 152MMDL161*EPD216TE |
| 211 | 210 | 2.8 | 35 | 2.0 | 10.0 | 236 | 55 | | 136 | T:M6×10mm | 152MMDL221*EPD216TE |
| 231 | 230 | 2.9 | | | | 259 | 40 | | 146 | Z:M8×20mm | 152MMDL231*EPD216ZE |
| 301 | 300 | 3.6 | | | | 338 | 60 | | 181 | T:M6×10mm | 152MMDL301*EPD216TE |
| 331 | 330 | 1.7 | 60.0 | 3.4 | 10.2 | 371 | | | 215 | Z:M8×20mm | 152MMDL331*EPD216ZE |
| 601 | 600 | 2.5 | | | | 675 | 100 | | 348 | T:M6×10mm | 152MMDL601*EPD216TE |
| 471 | 470 | 1.7 | 40 | 3.3 | 10.0 | 529 | 40 | 116.0 | 146 | T:M6×10mm | 152MMDL471*EPD213TE |
| 541 | 540 | 2.0 | | | | 608 | 50 | | 185 | T:M6×10mm | 152MMDL541*EPD213TE |
| 591 | 590 | 0.88 | 60 | 6.1 | 18.3 | 664 | | | 215 | T:M6×10mm | 152MMDL591*EPD213TE |
| 861 | 860 | 1.1 | | | | 968 | 70.0 | | 295 | T:M6×10mm | 152MMDL861*EPD213TE |
| 102 | 1000 | 1.3 | | | | 1125 | | | 345 | T:M6×10mm | 152MMDL102*EPD213TE |
| 122 | 1200 | 0.93 | | 8.7 | 26.1 | 1350 | | 136.0 | 295 | T:M6×10mm | 152MMDL122*EPD214TE |
| 152 | 1500 | 1.1 | | | | 1688 | | | 345 | T:M6×10mm | 152MMDL152*EPD214TE |

*:Tolerance J or K

● 1500VDC

大電流タイプ /Large current type

サージ電圧 /Surge voltage (Us) : 2250V リプル電圧 /Maximum ripple voltage (Ur) : 300V

| Symbol | μF | Rs (mΩ) | I max (A) | İ (kA) | Is (kA) | Wn (Ws) | Le (nH) | φ D (mm) | H1 (mm) | Stud/Thread | Parts code |
|--------|------|---------|-----------|---------|---------|---------|---------|----------|---------|-------------|----------------------|
| 231 | 230 | 1.3 | 60 | 3.4 | 10.2 | 259 | 40 | 86.0 | 155 | T:M6×10mm | 152MMDL231*EPD436TE |
| 381 | 380 | 1.8 | | | | 428 | 60 | | 232 | T:M6×10mm | 152MMDL381*EPD436TE |
| 411 | 410 | 0.67 | 80 | 6.1 | 18.3 | 461 | 40 | 116.0 | 165 | T:M6×10mm | 152MMDL411*EPD433TE |
| 6150 | 615 | 0.63 | 100 | 9.2 | 27.6 | 692 | 50 | | 230 | T:M6×10mm | 152MMDL6150*EPD433TE |
| 821 | 820 | 0.66 | | 12.2 | 36.6 | 922 | 60 | | 295 | T:M6×10mm | 152MMDL821*EPD433TE |
| 1021 | 1020 | 0.88 | | 9.1 | 27.3 | 1148 | 70 | | 345 | T:M6×10mm | 152MMDL1021*EPD433TE |
| 1171 | 1170 | 0.61 | 120.0 | 17.4 | 52.2 | 1316 | | 136.0 | 295 | T:M6×10mm | 152MMDL1171*EPD434TE |
| 1491 | 1490 | 0.77 | | 13.3 | 39.9 | 1676 | | | 345 | T:M6×10mm | 152MMDL1491*EPD434TE |

*:Tolerance J or K

●この表にないカスタム製品も製造致しますので御相談下さい。

Produce custom products too, which are not found in these table.